



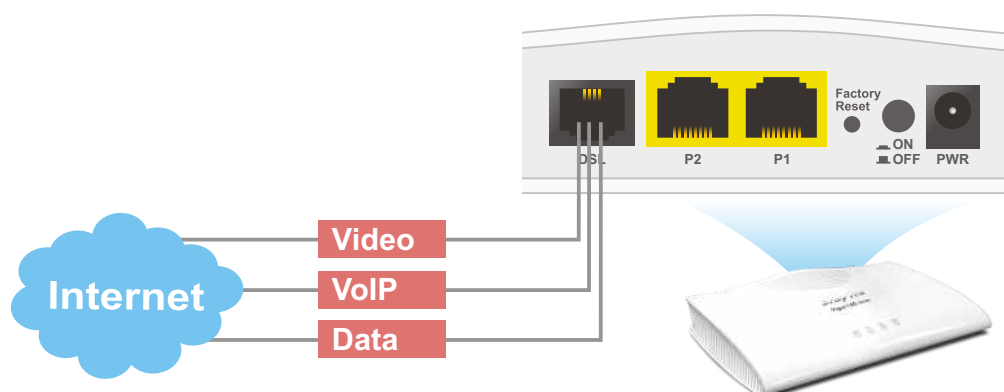
- Support G.Fast (Vigor166)
- Support VDSL2 35b Super Vectoring/ADSL2+
- Multi-PVC for triple-play applications

The Vigor160 series is a compact VDSL2 modem/router for SOHO and residential. It has an RJ-11 WAN interface with a built-in modem for VDSL or ADSL Internet services, reduce the need for an additional modem.

Vigor160 series supports all the VDSL2 profiles, including G.fast (Vigor166) and VDSL Super Vectoring, deliver speeds of up to 300 Mbps downstream and 100 Mbps upstream. The support of multiple-PVC/VLAN (up to 5) and providing two Gigabit Ethernet LAN ports makes it a perfect solution for triple-play applications.

As a router, the Vigor160 series has included SPI firewall to add a layer of security to your local network. Vigor160 series allows custom port forwarding rules, offers Layer 3 packet filtering as well as HTTP content filtering by URL keyword and web features, and also provides DoS attack defense to protect the network against traffic flooding.

TRIPLE PLAY



DSL Standard

- Compliant with ITU-T VDSL2 G.993.2
- Compliant with ITU-T G.993.1, G.997.1
- G.Fast Profile: 106MHz (Gen1), 212MHz (Gen2) (Vigor166)
- Loop Diagnostic Mode
- Multi-VLAN
- Multi-PVC

Switch

- 802.1q Bridge
- IGMP Snooping
- Bind IP to MAC Address

Content Security Management

- URL Content Filter :
 - URL Keyword Filter (White List and Black List)
 - Java Applet, Cookies, Active X, Compressed, Executable, Multimedia File Blocking

Firewall/Security

- NAT, DMZ Host, Port-redirection and Open Port
- MAC Address Filter
- SPI (Stateful Packet Inspection)
- DoS Pprevention
- E-Mail Alert and Logging via Syslog
- Time Schedule Control
- VPN Pass Through (IPsec, PPTP, L2TP)

Network Management

- Web-based User Interface (HTTP/HTTPS)
- Quick Start Wizard
- CLI (Command Line Interface, Telnet/SSH)
- Administration Access Control
- Configuration Backup/Restore
- Built-in Diagnostic Function
- Firmware Upgrade via TFTP/HTTP/TR-069
- Logging via Syslog
- TR-069 Compliance with VigorACS 2
- SNMP v1/v2c

Network Feature

- Router / Bridge Configurable
- IGMP Proxy V2 / V3
- DHCP Client/Relay/Server
- Dynamic DNS
- NTP Client
- Static Route
- DNS Cache / Proxy
- RIP v1/v2
- UPnP 100 Sessions

Hardware Interface

- 1 x DSL WAN Port
- 2 x 10/100/1000Base-TX Ethernet LAN Port, RJ-45
- 1 x Factory Reset Button

		G.Fast		
		35b	106MHz	212MHz
	Vigor165	•		
Gen1	Vigor166	•	•	
Gen2	Vigor166	•	•	•